

January 4, 2019

Via Internet Posting - 2 pages

**ADDENDUM NO. 3
TENDER CALL NO. 305-2018
Contract No. 19ECS-TI-08SP**

Re: TTC Track Allowance Reconstruction and Road Resurfacing on McCaul Street.

REVISED CLOSING DATE: JANUARY 11, 2019 12:00 NOON (LOCAL TIME)

Please refer to the above Tender Call document in your possession and be advised of the following:

I. REVISED CLOSING DATE

Please note that the Closing Date has been revised from January 9, 2019 12:00 Noon (Local Time) to January 11, 2019 12:00 Noon (Local Time).

II. ADDITIONS

i. Section 4A - Special Provisions - Special Provision No. SP3

The Contractor shall supply and install dowels at the joints of newly placed concrete for TTC tracks and existing concrete, as per the TTC Standard Drawing, S321313.02 (attached)

Basis of Payment

All costs associated with this Work shall be considered incidental to all related items of Work. No separate payment shall be made for costs incurred in complying with this requirement.

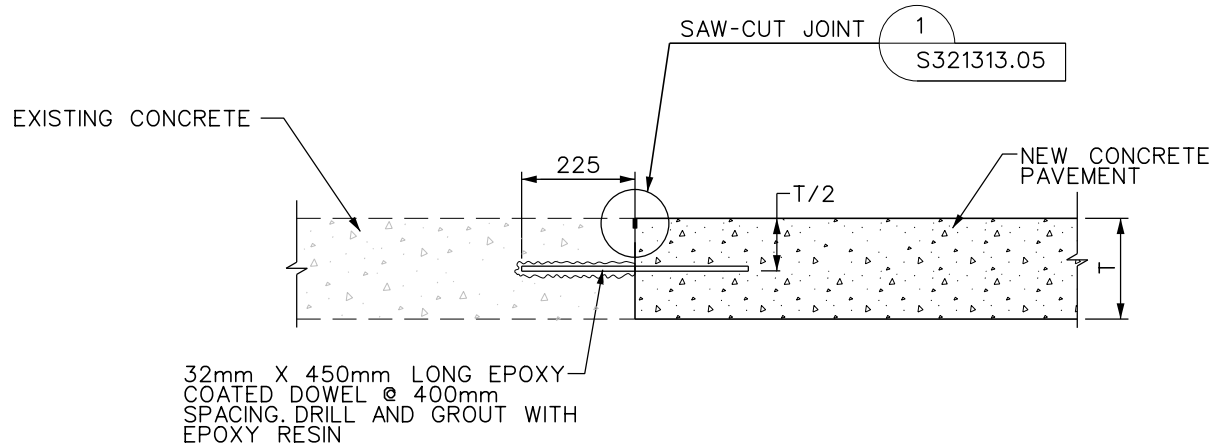
Should you have any questions regarding this Addendum, contact Christina Kysym, Corporate Buyer, at email: Christina.Kysym@toronto.ca

Please attach this addendum to your Request for Tender document and be governed accordingly. Bidders must acknowledge receipt of all Addenda on the space provided on the Tender Call Cover Page as per the Process Terms and Conditions, Section 1, Item 3 - Addenda, of the Tender Call document. All other aspects of the Tender remain the same.

Yours truly,



Sabrina Dipietro
Acting Manager, Construction Services
Purchasing & Materials Management

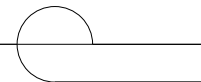



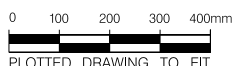
NOTE:

1. THE EPOXY RESIN SHALL ENVELOP THE BAR WITHIN THE DRILL HOLE AND SHALL BE SET PRIOR TO PLACING THE CONCRETE.
2. T = THICKNESS OF CONCRETE PAVEMENT

DETAIL

DOWELLED JOINT AT EXISTING PAVEMENT - TYPICAL



Drawing		Title						 Toronto Transit Commission
STANDARD		DOWELLED JOINT AT EXISTING PAVEMENT						
Scale	 PLOTTED DRAWING TO FIT	Drawn	Checked	Correct	Status	Date YEAR/MO/DY	Dwg No.	Rev.
		J. RODRIGUES	W. JANKUN	S. BERTOIA	APPROVED	2013/06/26	S321313.02	1